

WATER CANNONS

Interactive Laminar Fountains

Bring the action and excitement of water- play to any setting! Waterworks International Water Cannons have a beautiful high tech look and feel, yet are rugged and durable. They are constructed of tough stainless steel for years of trouble- free operation. Choose from three power gradients:

- Regular Water Cannon shoots a gentle stream of water that is safe for play areas with little children.
- Super Water Cannon shoots a safe, pressurized stream for more power and excitement.
- Magnum Water Cannon has an air assist that produces a powerful blast with an authentic report and water vapor "gun smoke." Magnum is for target shooting only, in a controlled situation.
- All Water Cannons bolt down onto rails or pedestals.



Versatile, durable, beautiful...
WATER CANNONS are
liquid adventure!

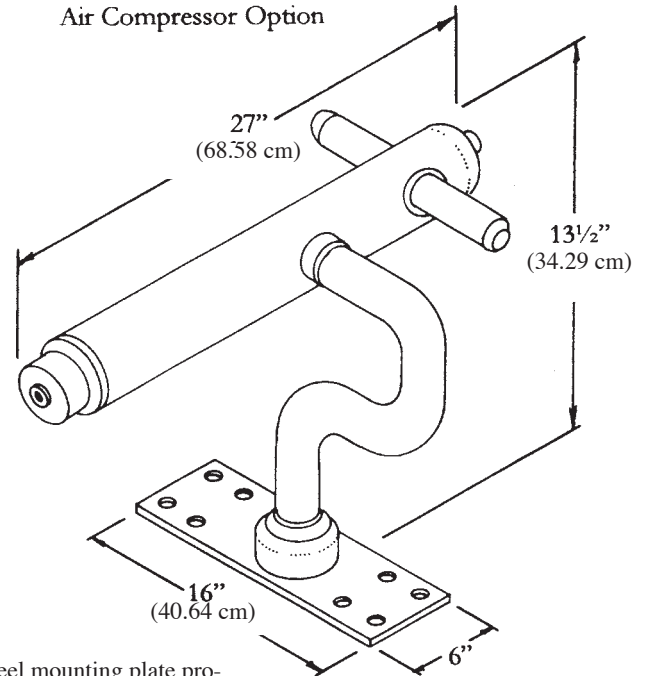
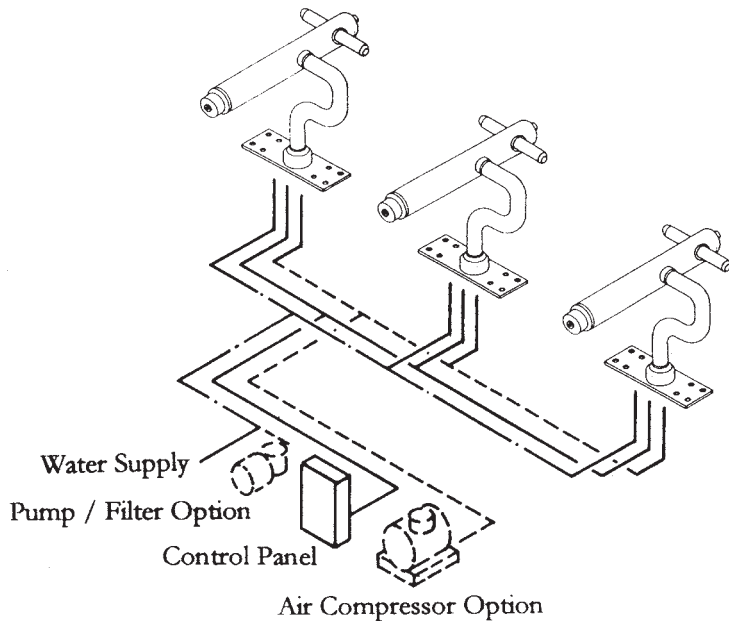
Waterworks
International



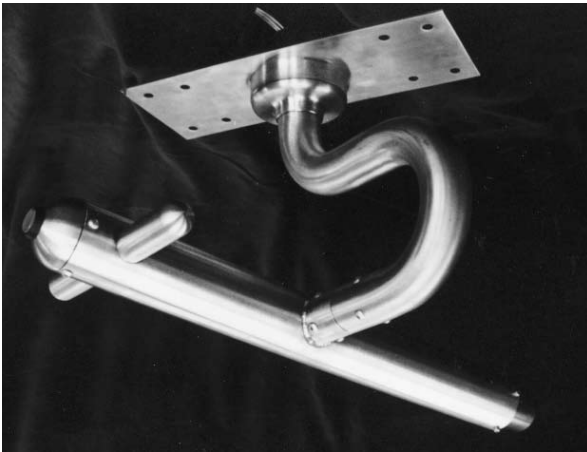
In partnership with
Neville Crocker
Australia Pty. Ltd.

Water Cannons

TYPICAL CANNON INSTALLATION FOR 3 WATER CANNONS



Note:
Stainless Steel mounting plate provided with 3/8" (10mm) holes



Versatile, durable, beautiful...
WATER CANNONS are
liquid adventure!

System Requirements for each Cannon:

(Materials and labor to be provided by owner.)

- Water supply: 2 GPM at 30 PSI. (0.13 L/sec. @2.11Kg/sq.cm)
- Air supply: (Magnum only) 0.4 cu ft/min. at 60 to 90 PSI. (0.19L/sec.@4.22Kg/sq/cm to 6.33Kg/sq.cm)
- 240V, 15 amp, RCD service for control panel (Magnum only.)
- 240V, 10 amp, RCD service for power supply (Magnum only.)
- Mounting support or pedestal.
- Air supply (Magnum only) 1/2" (15mm)
- Water supply: 1" (25mm) PVC.
- Air supply: 1/2" (15mm)
- Other voltages available.

Waterworks™
International

In Partnership with
Neville Crocker Australia
Pty Ltd



2 / 32 Miles St,
Mulgrave, Vic.
3170 Australia

Phone: +61 3 9560 5333 Fax: +61 3 9561 6172
Email: enquiries@ncawaterfeatures.com.au
www.ncawaterfeatures.com.au