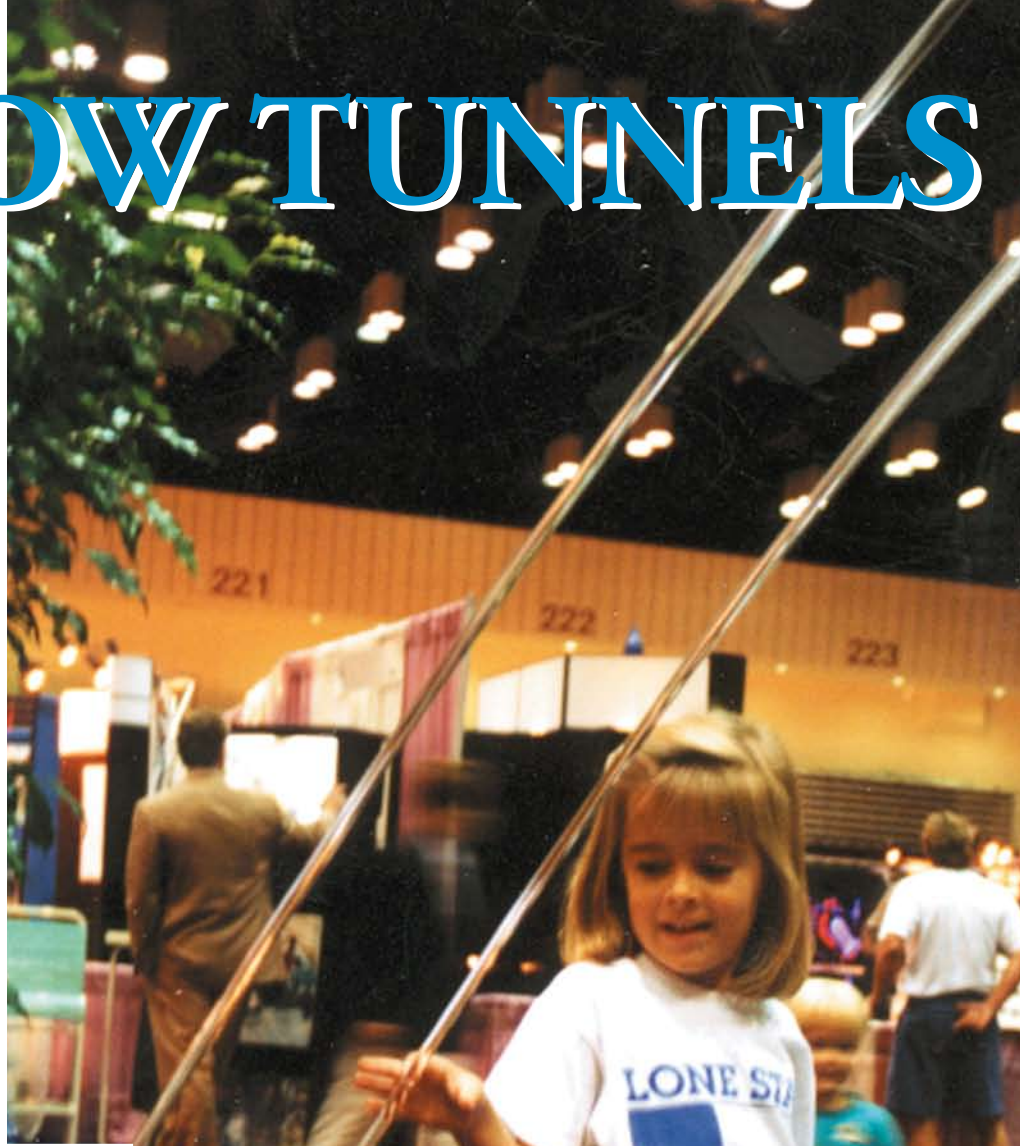


# RAINBOW TUNNELS

## Interactive Laminar Fountains

Through the magic of laminar flow technology, Rainbow Tunnels turn laser-like streams of water into a graceful overhead archway while the ground below stays dry. The streams can be lighted in a rainbow of colours with patented Lighted Laminar Nozzle, much like a fiber optic cable. What an entrance!

- Lend dramatic effect to entryways, plazas, malls, walkways, lobbies, or gardens.
- Combine Rainbow Tunnels with other fountain effects to create an interactive water-play area for young and old alike to reach in, splash, and enjoy!



Elegant, vibrant, unique...  
RAINBOW TUNNELS  
make a dramatic entrance.

## Waterworks International



In partnership with  
Neville Crocker  
Australia Pty. Ltd.

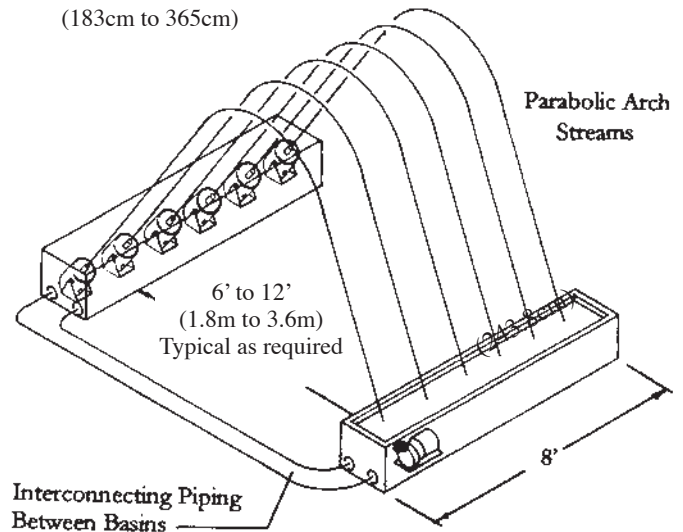


# Rainbow Tunnels

System Requirements for Rainbow Tunnels: (Materials and labor to be provided by owner.)

- 240V, 100 amp, RCD service for pump.
- 240V, 100 amp, RCD service for lights (If used.)
- Rainbow Tunnels are complete, self-contained units to be used as portable fountains.
- For portable use, they may be filled and drained with a garden hose.
- Other voltages available.

## TYPICAL 6 STREAM RAINBOW TUNNEL

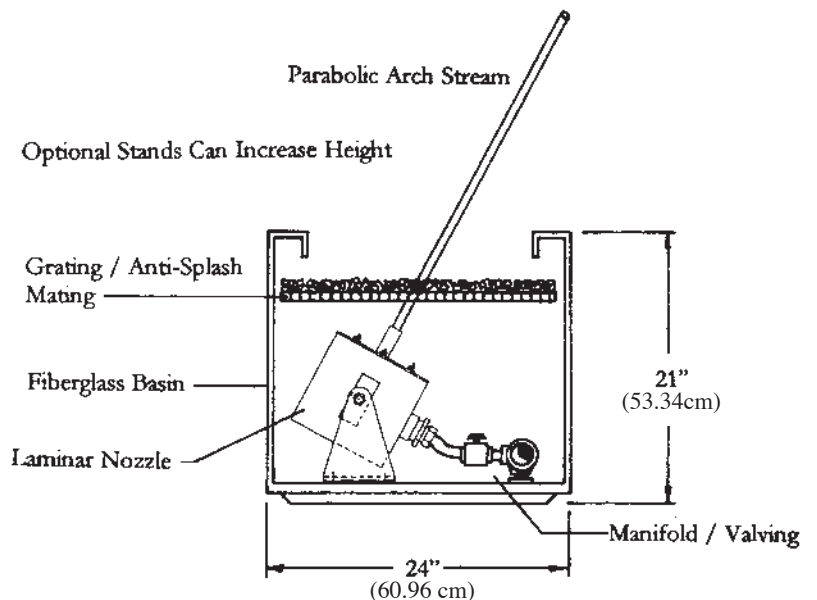


**RAINBOW TUNNEL ISOMETRIC**



Elegant, vibrant, unique...  
RAINBOW TUNNEL makes  
a dramatic entrance.

## RAINBOW TUNNEL ISOMETRIC



**TYPICAL BASIN SECTION**

**Waterworks™**  
International 

In Partnership with  
Neville Crocker Australia  
Pty Ltd



2 / 32 Miles St,  
Mulgrave, Vic.  
3170 Australia

Phone: +61 3 9560 5333 Fax: +61 3 9561 6172  
Email: [enquiries@ncawaterfeatures.com.au](mailto:enquiries@ncawaterfeatures.com.au)  
[www.ncawaterfeatures.com.au](http://www.ncawaterfeatures.com.au)