



Technical Data Sheet

Product: Platypus Pond Pumps
Product Code: P Series



- NCA's Platypus Pond Pumps have a unique disc motor design, patented and proven over 30 years. The picture opposite shows a P450W motor assembly separated from its pump case. The motor is completely sealed and works on magnetic drive. There is no shaft, which often causes complications in submersible pond pumps. The impeller runs on a 12mm ceramic bearing with a ten year life and is the only moving part, thereby reducing wear and tear.

- Because of their quality of design and manufacture all pumps have a **5 year warranty**.
- All operate from 240VAC and have an IP68 rating. Power cable is 10m long.
- All are silent running with models up to P450W being able to operate in non submersible as well as submersible applications.
- Models available:

Model	P180W	P300W	P450W	P770W	P1400W	P1800W
Power (Watts)	60	60	95	105	165	185
Flow (lpm)	33	40	46	60	139	147
H Max (M)	2.1	2.6	3.2	4.0	4.2	4.5
Outlet size	3/4" BSPM	3/4" BSPM	3/4" BSPM	3/4" BSPM	1 1/4" BSPM	1 1/4" BSPM

- All models include a strainer cage c/w foam filter. Filter options are available for all models ensuring good performance for a wide range of pond conditions.
- Separate fountain kits are available for all models P180W up to P770W and for the larger P1400W and P1800W pond pumps. These kits include 3 different display jets (Watercastle, Bell and Foaming), control valves and waterfall tee, telescopic tube for display jets and hose tail connections.

Fountain Kit
for P180W to
P770W Platypus
Pond Pumps



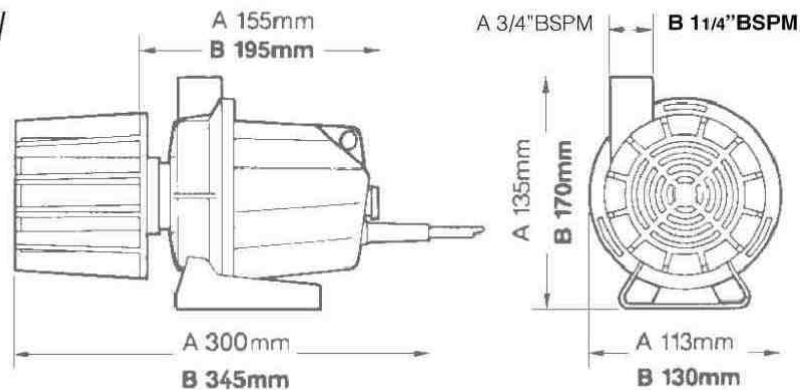
Fountain Kit
for P1400W &
P1800 Platypus
Pond Pumps



- Dimensions:

A – P180W
P300W
P450W
P770W

B – P1400W
P1800W



- Performance:

Model	Flow in litres per minute at the height shown in metres										
	0m	0.5M	0.75M	1.0M	1.5M	2.0M	2.5M	3.0M	3.5M	4.0M	4.5M
P180W	33	21	17	13	6	1	0	0	0	0	0
P300W	40	26	21	17	10	7	1	0	0	0	0
P450W	46	36	33	28	21	18	8	2	0	0	0
P770W	60	50	46	41	33	28	21	14	8	0	0
P1400W	139	124	117	110	96	84	64	51	38	14	0
P1800W	147	133	126	119	104	95	72	57	45	28	10

- Operating Parameters

Minimum flow	2.3 lpm
Maximum submersible depth	2 M
Maximum lift (not self priming)	2 M
Maximum water temperature	60°C
Maximum air temperature	60°C
Thermal cut out temperature	120°C

- Filter options include biological foam to suit the two physical size pumps. BF100-B suits the P180W to P770W model and measures 300mm long x 120 x 120. BF100-C suits both P1400W and P1800W pumps and measures 400 x 160 x 160mm. To install, firstly remove the existing filter assembly and push fit the biological filter onto the pump's inlet.



- A self cleaning strainer (UFLO) also fits in place of the supplied filter assembly. It works by diverting some of the pumps outflow to drive two cleaning arms, within the UFLO, to wash the debris off the strainer. This operation reduces the pumps performance – P180W to P770W by 10% and the larger pumps by 25% when used with an adaptor.

