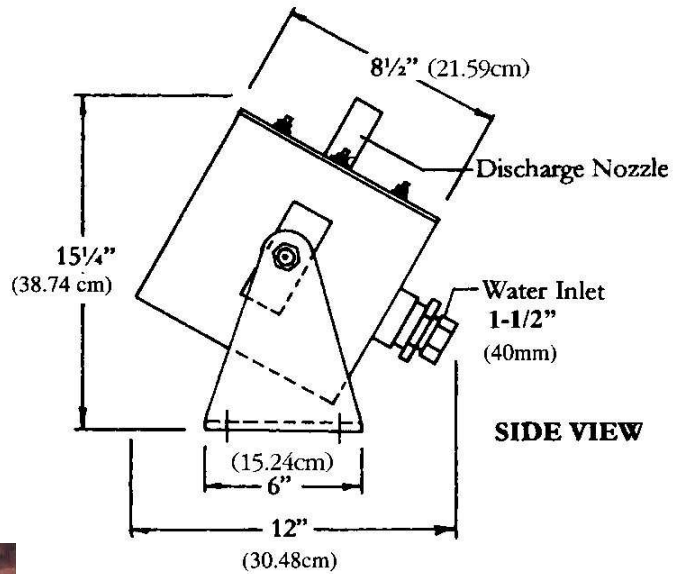
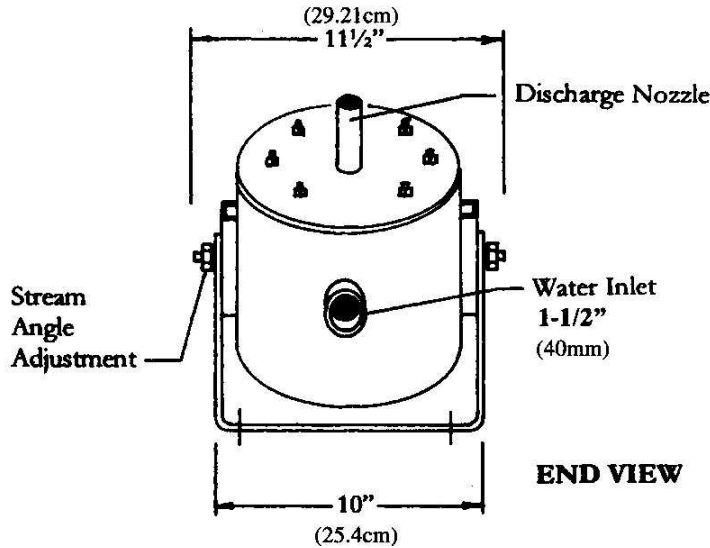




# Technical Data Sheet

**Product: Laminar Flow**

**Product Code: Laminar Flow**



- NCA's Laminar Flow jets create glass like rods of water that can be sculptured and illuminated to provide many visual effects.
- Multiple Laminar Flow jets can be arranged to provide arch ways, or to collide with other fountains.

- The lighted model sends a low voltage, high intensity light through the stream (like a fibre optic cable) splashing light wherever the stream is broken.
- Laminar Flow jets are provided with a mounting plate to securely locate the jet in the water feature.
- Requirements for each laminar flow jet is 100% filtered water, with a flow of 0.63 lpm.