



Technical Data Sheet

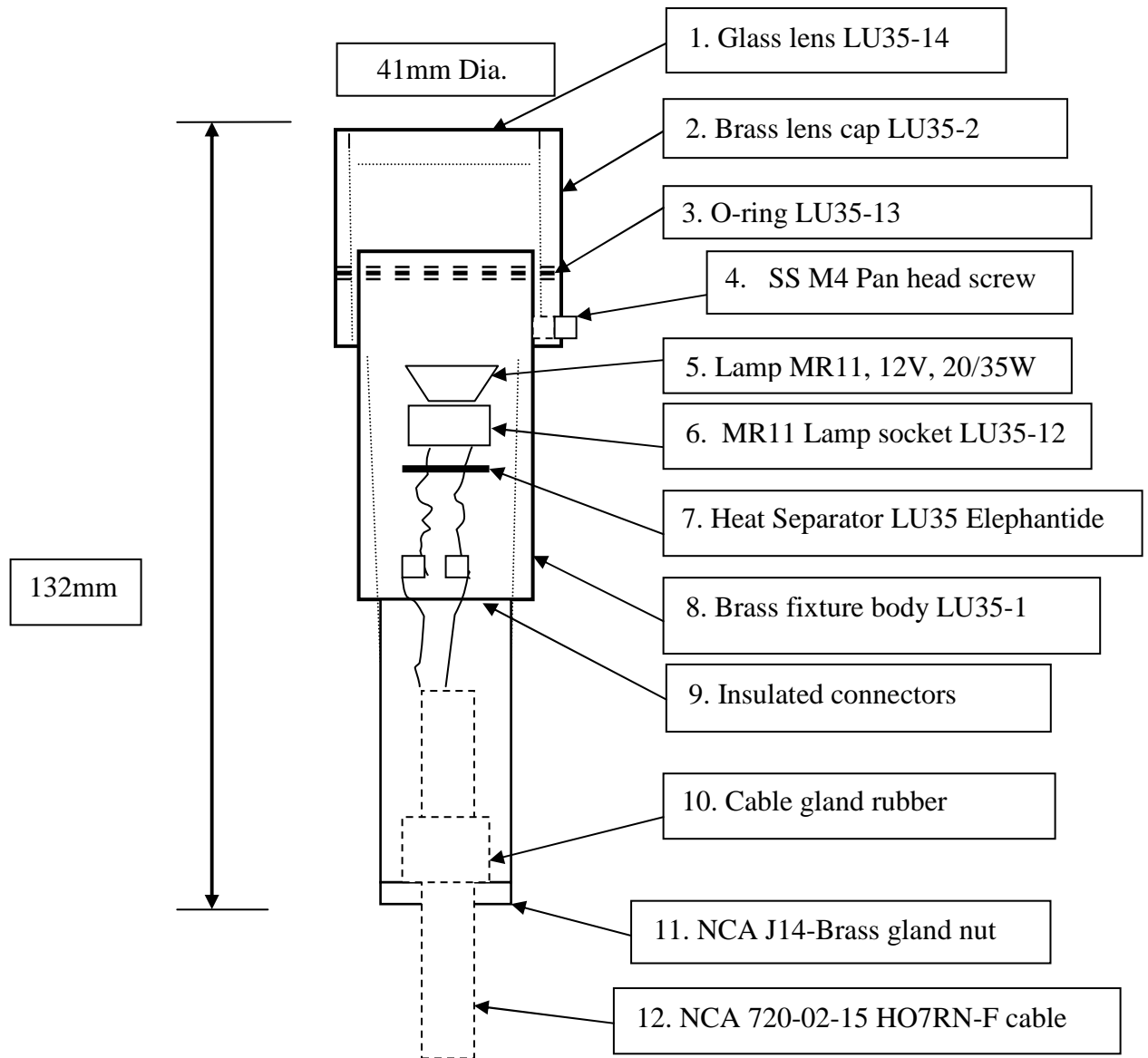
Product: LU35 Light Fixture
Product Code: LU35A



- NCA's LU35A light fixture is precision made from brass and uses NCA's LU14 cable gland.
- LU35A's lamp socket is ceramic and stainless steel with high temperature leads.
- The lens is flat glass and located with high temperature epoxy cement.
- The LU35A is designed to accept MR11 type lamps in either 20W or 35W, 12V lamps.
- NCA's LU35A can be supplied with either a clamp mount or machined brass stand. Picture shows a LU35A light fixture mounted on a stainless steel bracket with NCA's 17-GB-20 Geysers Aerating jet.

- Refer to page 2 for the LU35A construction details.

LU35A Light Fixture - EXPLODED VIEW



Lamp Replacement:

1. Loosen SS Pan Head screw on Brass lens cap.
2. Carefully slide off the brass lens cap.
3. Replace lamp and insert lamp and socket into brass light body – *ensure connectors don't touch lamp.*
4. Check O Ring for damage and lubrication – replace and, or lubricate as required.
5. Push on brass lens cap and re-screw SS set screw. Note- SS Pan Head screw only needs to be hand tightened to prevent lens cap from lifting off.