



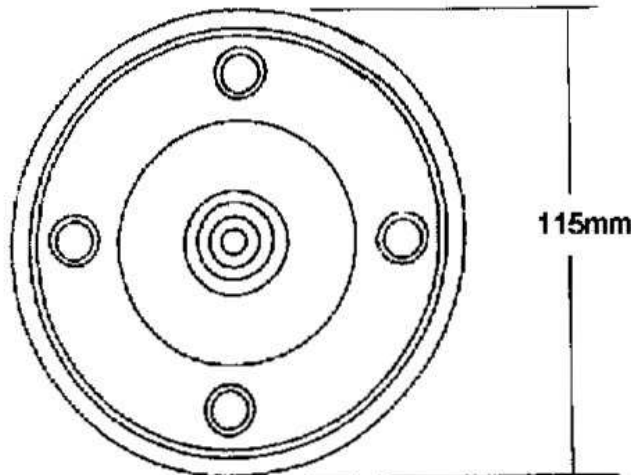
Technical Data Sheet

Product: Ball Outlet

Product Code: BO Series



- The NCA swivel ball outlet is designed to direct water for circulation or floor waste movement.
- The eye of the ball can be drilled from 10 to 20mm diameter. Use the NCA series 22 Technical Data Sheet to calculate orifice diameter and flow required.
- The ball outlet is cast from navel gunmetal to AS/NZ 836B, JIS.B6 and BS.LG2 standards. Fasteners are type 304 stainless steel.



- The rear of the Ball Outlet is screwed with 40mm (1 1/2" BSP) internal thread,
- The flange arrangement can be supplied to be used as a clamp for flexible waterproofing membrane.
- Models available:
 - BO40 for non membrane pools,
 - BO40M for membrane pools.

