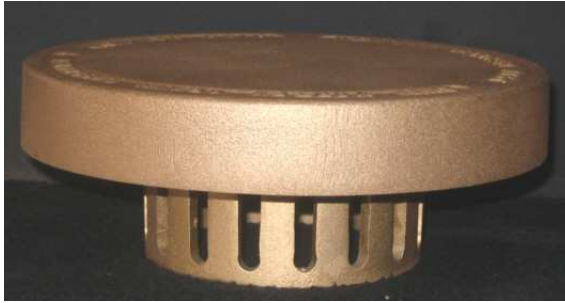


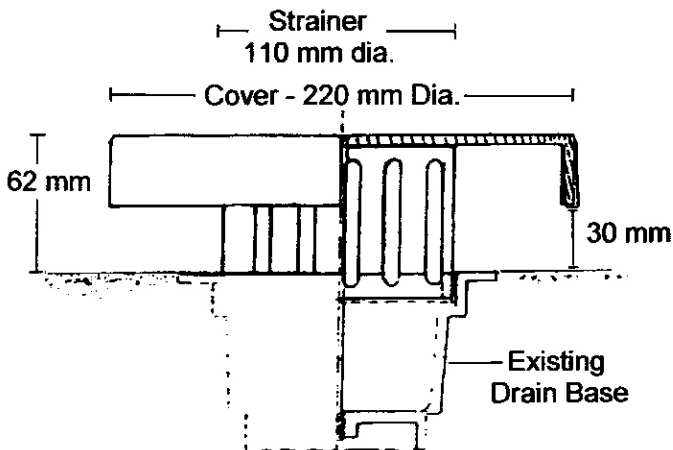


Technical Data Sheet

Product: Anti Vortex fittings
Product Code: AVD Series



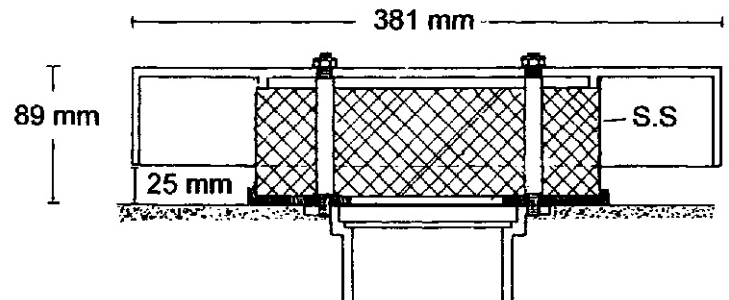
- NCA's offers two models of Anti Vortex fittings designed to fit NCA's drain bases (refer to technical data sheet on Drain Bases).



- AVD80 anti vortex fitting consists of a cast bronze cover and strainer, held in place by stainless steel thread. See Left hand picture above. The left hand diagram shows details of a AVD80 on an existing drain base (suitable for either DFB or MDFB models – refer to relevant Technical Data Sheets).

- AVD80's maximum flow is 310 litres per minute with approximately 50mm of water over the fitting.

- AVD100 anti vortex fitting consists of a cast bronze cover, stainless steel strainer and is held in place by 4 stainless steel threads. Right hand picture above shows picture of AVD 100 fitted to a DFB100 Drain Base. The diagram opposite shows details of a AVD100 fitted to an existing drain base (DFB or MDFB models).



- AVD100's maximum flow is 1700 litre per minute with approximately 460mm of water over the cover.