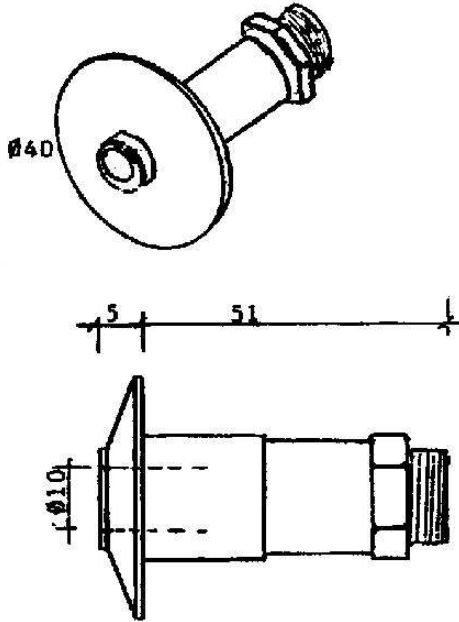




Technical Data Sheet

Product: Flush Mount Jets
Product Code: 50 Series

- NCA offers two models of Flush mount jets to suit court yard and similar applications.



- The 50-05-10 brass jet, refer to diagram on the left, to be a fascia mount screwing into a 3/8" BSPF or NPT socket to provide a 10mm stream of water.

- Performance:

Trajectory (M)	0.25	0.5	0.75	1.0
Flow (lpm)	11	16	19	22
Pressure (M)	0.3	0.6	0.9	1.2

- The 50-06-25 brass jet, see right hand drawing, is designed to be fascia mount or a cast in item.
- The 50-06-25 is designed to screw onto a 1" BSPF or NPT provides a 13mm stream of water.
- Performance:

Trajectory (M)	0.25	0.5	0.75	1.0
Flow (lpm)	16	22	28	32
Pressure (M)	0.3	0.6	0.9	1.2

