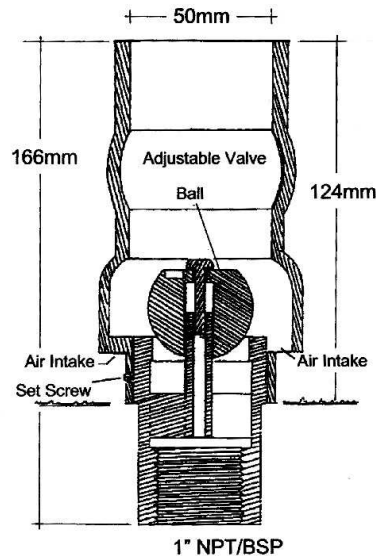




Technical Data Sheet

Product: Water Level Independent & Partial Immersible Aerating Jets

Product Code: 3 Series



Display height (M)	Flow - 2mm (LPM)	Flow - 3mm (LPM)	Pressure (M)
0.5	76	88	2.5
1.0	91	106	4.3
1.5	106	125	5.9
2.0	118	144	7.1
2.5	129	163	8.1
3.0	141	182	9.1
4.0	163	231	10.8

- NCA's 3-WIA-25 jet, pictured above, is designed to be installed above water level to provide an aerating display. Refer to diagram which shows water level.
- 3-WIA-25 is manufactured from cast bronze, brass and stainless steel screws. Dimensions – overall height 166mm, orifice 51mm diameter, inlet 1" BSPF.
- Jet flow is adjustable by means of two screw drivers, with which the valve ball is screwed up or down and locked into position. The stainless screw located in the centre of the ball is the locking screw and the gap is adjusted using the slot in the ball.



- NCA's 3-WIB-25 jet, picture centre left, is designed to be installed above water level to provide an aerating display.
- Dimensions – overall height 90mm, orifice 38mm diameter, inlet 1" BSPM.

Display height (M)	Flow (LPM)	Pressure (M)
0.5	76	2.5
1.0	91	4.3
1.5	106	5.9
2.0	118	7.1
2.5	163	8.1



- NCA's 3-WIC-25 jet (picture above left), 3-WIC-32 and 3-WID-50 provide an aerating display. Pictures, shown above, are for displays of 1 and 0.3 of a metre.
- Both the 3-WIC and 3-WID jets can be installed above or partially submerged. Maximum submersion is 90mm for 3-WIC and 100mm for 3-WID jets.

Jet Part No:	Height (mm)	Jet diameter (mm)	Jet orifice (mm)	Inlet Thread size (BSPF)	Depth of thread (mm)
3-WIC-25	135	85	50	1"	20
3-WIC-32	135	85	50	1 ¼"	20
3-WID-50	248	130	76	2	25

3-WIC-25			3-WIC-32			3-WID-50		
Display height (M)	Flow (lpm)	Pressure (M)	Display height (M)	Flow (lpm)	Pressure (M)	Display height (M)	Flow (lpm)	Pressure (M)
0.5	76	2.5	0.5	87	2.75	0.5		
1.0	91	4.3	1.0	106	4.58	1.0		
1.5	106	5.9	1.5	129	6.1	1.5	269	3.4
2.0	118	7.1	2.0	144	7.62	2.0	311	4.0
2.5	163	8.1	2.5	163	9.15	2.5	347	5.1
			3.0	182	10.7	3.0	383	6.1
			4.0	238	13.7	4.0	440	7.7
						5.0	485	9.8
						6.0	526	12.2

The foaming display, pictured right, is from an array of 7, 3-WIC-25 jets mounted on a NCA distribution chamber – refer to technical data sheet “Distribution Chamber 5 Series. The six black screens surrounding the centre feature are NCA’s Pop jets in niches. These jets rise to 1.5 metres high in sequence.

