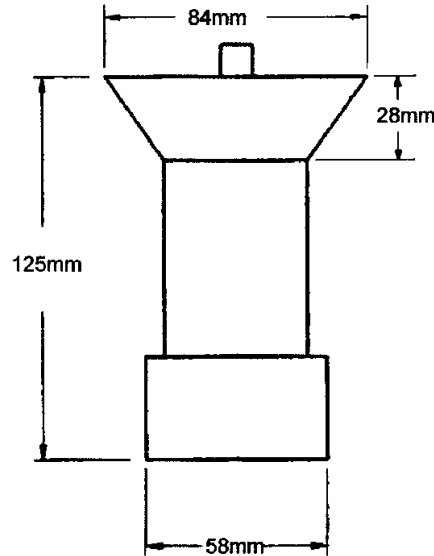




Technical Data Sheet

Product: Snowball Jet

Product Code: 31-AA-40



- NCA's Snowball jet works well as a single centre of interest, or in multiples with other effects. Sunny areas provide best visual effects.
- The Snowball jet is cast from navel gunmetal to AS/NZ 836B, JIS.B6 and BS.LG2 standards. Fastener is type 304 stainless steel. Thread size is 1 1/2" BSPF or NPT.
- Jet can be operated with the jet's cone above water level, i.e. water level 28mm below top of jet.

- The jet will tolerate light breezes but should be used with a wind control device in moderate to windy areas.
- The display creates a moderate noise level due to the highly turbulent action at the nozzle exit.
- A wave or surging action may occur in small pools or when used in confined areas, which will require a damping device.
- Performance:

Display height (M)	0.6	0.9	1.2	1.5	1.8
Display Spread (M)	1.2	1.8	2.7	3.0	3.7
Flow (lpm)	250	280	340	380	420
Pressure (M)	0.9	1.2	1.8	2.1	2.5