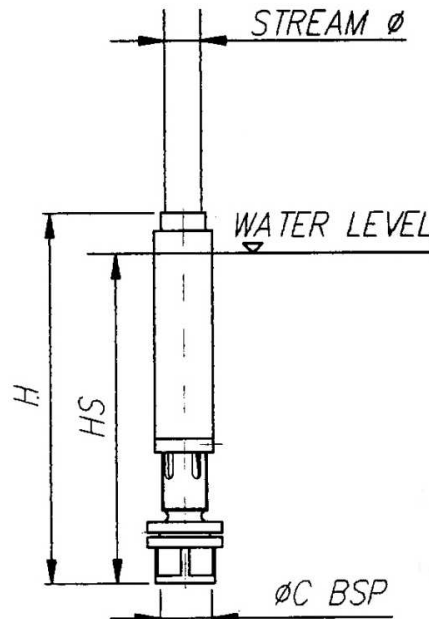




# Technical Data Sheet

**Product: Candle / Aerating Jet**

**Product Code: 21 Series – refer to page 2 for models available and performance details.**



- The NCA 21 series aerating jets provide a highly visible white water narrow candle display.
- Being a water level dependent display is conditional on submergence. It is important to maintain operating water level between 'H' & 'HS' dimensions for the respective Jet, refer to performance chart. Adjusting the air tube up will lower the height and thicken the display. Adjusting the air tube down will increase the height and lighten the display.
- For displays above 1/3 of maximum performance, use a straight pipe to overcome turbulence. We recommend pipe length to be a minimum of 10 times the diameter of riser pipe selected for required flow.
- Use NCA type ELS micro accurate level sensors to maintain accurate jet submergence.
- Custom strainers are available to prevent entry of water born debris.

## NCA - Series 21 - Aerating Jet

## Range and Performance Details

**Construction** - Naval Bronze to BS LG2, JIS BC6

### NCA Code

21-XA-20	21-XB-20	21-XC-25	21-XD-32	21-XE-40	21-XF-50	21-XG-80	21-XH-100
----------	----------	----------	----------	----------	----------	----------	-----------

### Dimensions (also refer to diagram):

Pipe thread size (BSP - inches)

Sream Diameter (mm)

Overall Height ( mm)

Height of nozzle (mm)

3/4"	3/4"	1"	1 1/4"	1 1/2"	2 "	3"	4"
19	25	32	39	52	65	90	100
191	197	242	267	343	394	547	635
83	89	108	121	134	178	254	254

### Performance:

Height	Pressure	Pressure	Pressure	Pressure	Pressure	Pressure	Pressure	Pressure	Pressure	Pressure	Pressure	Pressure	Pressure	Pressure	Pressure	
M	LPM	(M)	LPM	(M)	LPM	(M)	LPM	(M)	LPM	(M)	LPM	(M)	LPM	(M)	LPM	(M)
1	11	7.5	17	5.8	25	4.5										
1.5	14	10.5	21	8	30	6.1	42	5	47	4	120	4				
2	16	14	25	11	35	8	47	6	52	6	142	6				
3	21	21	32	15	40	11	53	9	72	7	165	7	380	9	470	8
4					46	15	60	11	85	9	175	8	420	11	570	9
5					53	18	67	13	95	11	195	10	470	13	620	11
6							75	16	103	13	210	13	495	15	715	13
7									110	14	240	14	525	17	760	15
8									120	16	250	16	550	18	820	16
9									125	18	265	18	580	20	860	18
10											295	22	615	22	910	20
12													660	26	990	23
15													750	32	1100	27
20													860	41	1255	37
25													945	52	1410	47
30															1555	57
40																