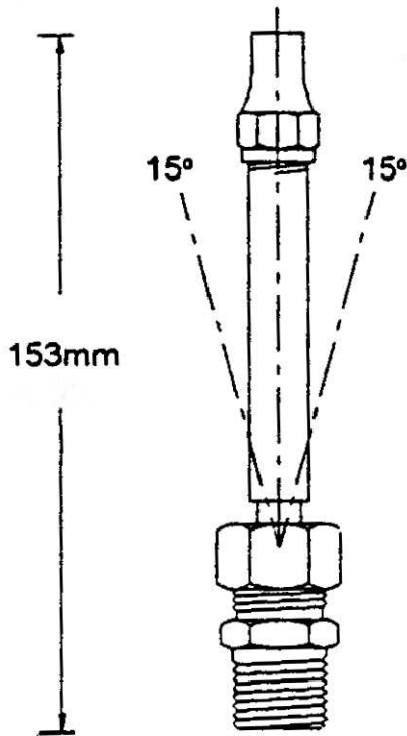




Technical Data Sheet

**Product: Pressure Equalising –
Clear Stream Jet**

Product Code: 1-CA-12



- NCA's 1-CA-12 is a ½" bsp or npt swivel mounted clear stream jet designed and manufactured to provide an exceptional clear stream performance for manifold arrays requiring unbroken, even display.
- The 1-CA-12 jet is manufactured from brass and incorporates a built in pressure reduction thus enabling equalizing of the overall display when a number of these are use the same manifold.
- NCA recommend any common manifold have a minimum diameter of 80mm and the system include a suction strainer of Xmm.
- These jets are not suitable for area subject to vandalism.
- Performance:

Height (m)	Flow (lpm)	Presuure at Jet (M)
1.0	14	4.9
1.5	17	6.9
2.0	19	8.5
3.0	23	11.7
4.0	26	18.8
5.0	29	15.6
6.0	31	18.3