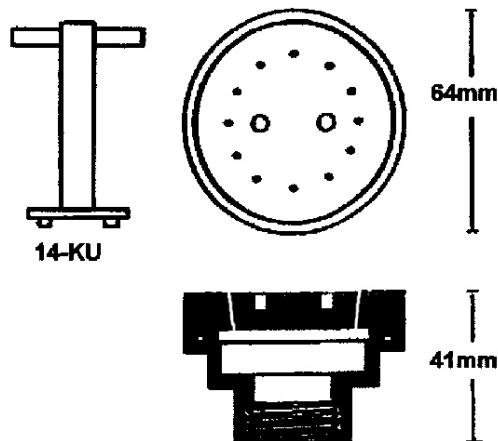




Technical Data Sheet

Product: Crown Jet – Flush Mount
Product Code: 14 –UA-20Series



- NCA’s 14-UA-20 jet is designed to have the jet’s top finishing flush with the paving surface, when installed in public playgrounds. This provides a complete safe cooling off spot, where there is suitable supervision.
- Various configurations, employing a number of jets, can be designed which could be activated via a time delay, or infrared beam, to provide fun for the users.
- A brass Key (NCA part number 14-UK) is used to unscrew the jet out let. This provides good vandal protection and ease of maintenance when required.
- NCA’s swivel union (part number 14-UB-25) enables the jet angle to be adjusted to suit the concrete paving’s slope.
- When installing, tape the top of the jet to prevent concrete entering when it is being poured and worked.
- This jet requires 0.1mm² of 1mm x 1mm aperture suction screen for every 20 litres per minute (lpm) flow.
- Performance:

Display Height (M)	1.0	1.5	2.0	2.5	3.0
Flow (lpm)	35	46	57	75	90
Pressure (M)	1.3	2.5	3.6	4.6	5.6